



2717 Series Tension Grips

Catalog Number 2717-068

Features

- Universal design with optional, interchangeable, spindle sets to meet a range of standards
- 1 kN (100 kgf, 220 lbf) load capacity
- Lower spindle driven from crosshead motion
- Easily selectable rotation speed via toothed-belt drive
- Optional spindle sets for: ASTM D 1414, BS 3704 (includes additional drive pulleys), DIN 53504, general purpose 3.175 mm (0.125 in), 6.35 mm (0.25 in), and 12.7 mm (0.5 in) diameter
- Fits all Instron® 3300/ 4400/ 5540 series single column test frames
- Ambient temperature use only

Description

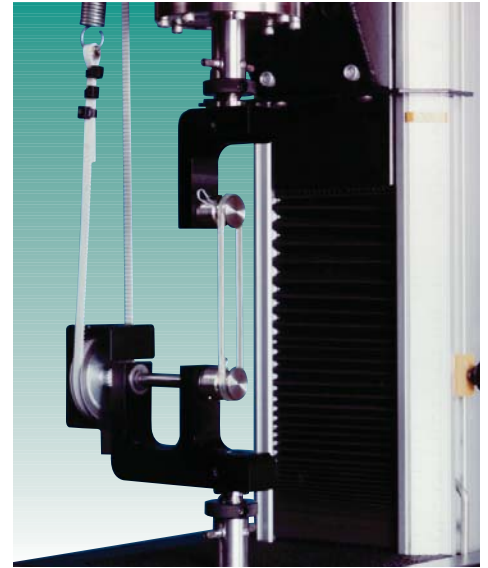
The o-ring test fixture has been designed to facilitate the testing of o-rings and similar continuous loop specimens where it is essential to minimize localized stressing in the sample.

Principle of Operation

The fixture, which is easily fitted to Instron single column testing machines, consists of an upper and lower frame. The upper frame mounts into a standard load cell coupling (6 mm, 0.24 in clevis pin) and contains a bearing mounted roller. The lower frame is mounted in a standard base adapter (6 mm, 0.24 in clevis pin) and also carries a bearing mounted roller. The specimen is rotated by the lower roller. The lower roller is rotated, via a drive sprocket, by a timing belt coupled to the moving crosshead. The rotation speed of the lower spindle can be selected by moving the toothed belt from one pulley to another.

Application Range

- O-ring testing
- Other continuous specimens



▲
2717-068 o-ring test fixture

2717 Series Tension Grips

Catalog Number 2716-068

Specifications

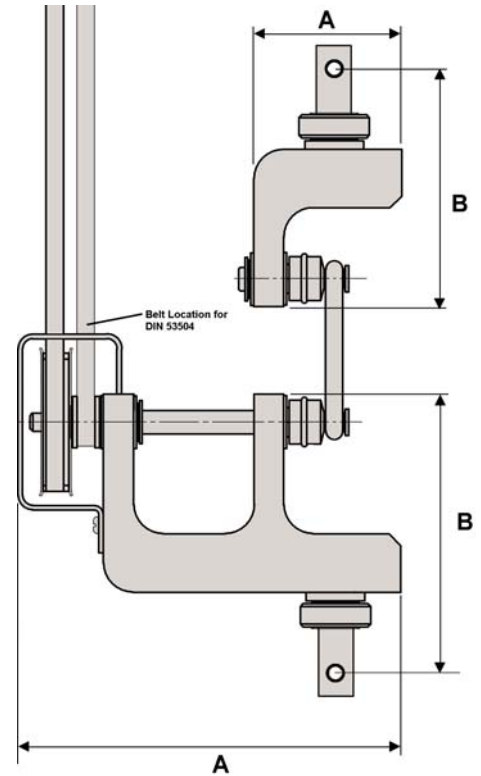
Catalog Number	2717-068
Maximum Capacity	1 kN (100 kgf, 220 lbf)
MECHANICAL CONNECTION	
Upper Fitting	6 mm (0.24 in) clevis pin (Type Om)
Lower Fitting	6 mm (0.24 in) clevis pin (Type Om)
WIDTH (A)	
Upper	62 mm (2.4 in)
Lower	131 mm (5.2 in)
EFFECTIVE LENGTH (B)	
Upper	98 mm (3.8 in)
Lower	116 mm (4.6 in)
Weight	1 kg (2.2 lb)
Temperature Range	Ambient use only
Compatible Machines	3343, 3344, 3345, 4443, 4444, 5543, 5544, 5843, 5844

Notes:

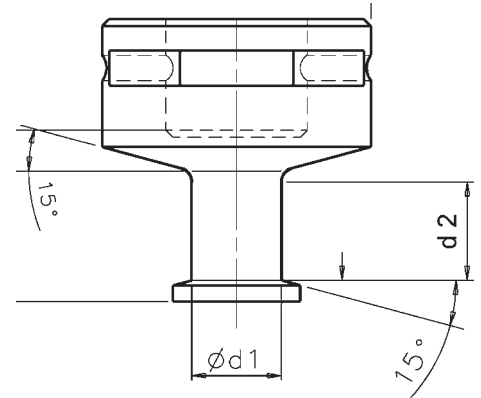
1. Require spindle set.

Accessories

Catalog Number	Description	Roller Diameter d1	Roller Width d2
2717-070	To ASTM D 1414	4.75 mm (0.19 in)	7 mm (0.28 in)
2717-071	To BS 3704	15 mm (0.59 in)	25 mm (0.98 in)
2717-072	To DIN 53504 R1	22.3 mm (0.88 in)	7 mm (0.28 in)
2717-073	To DIN 53504 R2	18.3 mm (0.72 in)	7 mm (0.28 in)
2717-074	3.175 mm (0.125 in) diameter	3.18 mm (0.125 in)	7 mm (0.28 in)
2717-075	6.35 mm (0.25 in) diameter	6.35 mm (0.25 in)	7 mm (0.28 in)
2717-076	12.7 mm (0.5 in) diameter	12.7 mm (0.5 in)	7 mm (0.28 in)



▲ O-ring fixture dimensions



▲ Spindle dimensions



Corporate Headquarters

100 Royall Street, Canton, Massachusetts 02021-1089, USA
Tel: +1 800 564 8378 or +1 781 575 5000 Fax: +1 781 575 5751

Instron Industrial Products

900 Liberty Street, Grove City, PA 16127-9969, USA
Tel: +1 724 458 9610 Fax: +1 724 478 9614

European Headquarters

Coronation Road, High Wycombe, Bucks HP12 3SY, United Kingdom
Tel: +44 1494 464646 Fax: +44 1494 456123

www.instron.com

Instron is a registered trademark of Instron Corporation. Other names, logos, icons, and marks identifying Instron products and services referenced herein are trademarks of Instron Corporation and may not be used without the prior written permission of Instron. Other product and company names listed are trademarks or trade names of their respective companies.

Copyright© Instron 2004. All rights reserved.
All of the specifications shown in this brochure are subject to change without notice.